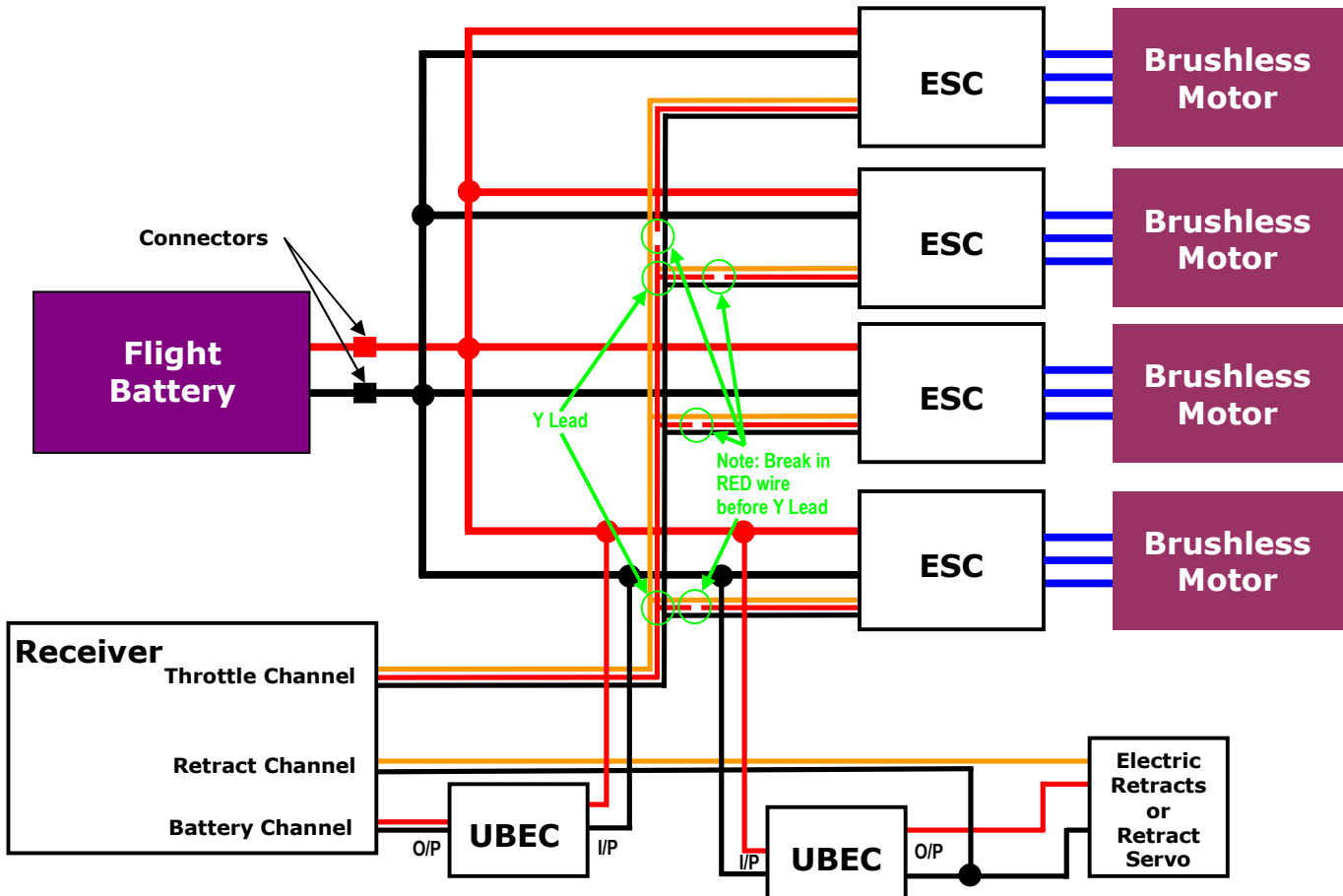


How to Wire up 4 Brushless Motors and 2 UBEC's With ESC's That Have Built in BEC's and Electric Retracts/Retract Servo



If using air retracts then you can ignore the right hand UBEC

To keep the weight down use 14 AWG silicone wire between the battery connectors and the inner motors. Use 16 AWG between the inner motors and the outer motors. Keep all wires as short as possible again to keep the weight to a minimum.

Please note that the centre (+VE) wire from the ESC's (Electronic Speed Controllers) to the receiver are broken. Rather than cut the wire, carefully remove the wire and pin from the plug and tape it back out of the way so that you can re-insert it at a later day if you decide to use the ESC's in different models.

Using a UBEC or Receiver Battery with an OPTO ESC

If you are using a UBEC or a separate receiver battery with our OPTO ESC's (no BEC included) you should **not** remove or cut centre wire (+VE). The centre wire (+VE) wire is needed for the ESC to operate correctly.

This is a guide only. 4-Max does not accept any liability whatsoever with regards to any injury or damage caused by advice contained within or not contained within this guide. www.4-Max.co.uk